


ADK[®]
Quality, Honesty, Service and Innovation



INM LED ROADWAY LIGHTING
HIGH MAST LUMINAIRE

OVER YEARS 
10 EXPERIENCE



SUPERPOSTES
IGE LIGHTING
ILUMINACIÓN A GRAN ESCALA



POSTE STROM
Canastilla fija
Iluminación a Gran Escala S de R L de CV
Tlalnepantla, Edo. Méx
(+52) 56 11 74 49 73

"Damos significado a nuestro mundo con preguntas valientes y respuestas profundas" C.Sagan

www.iluminacionagranescala.com

> Features of **INM** Series

INM cuenta con un sistema de iluminación inteligente, diseño de caja de controlador con pestillo en la tapa, fácil instalación y mantenimiento. Diseño resistente y resistente a la intemperie y índices de vibración de hasta 5G (algunos modelos), pintura en polvo de poliéster resistente a la corrosión. PMMA adopta un diseño de matriz de corte de luz completa. Al agregar un muro de retención de luz cóncavo, se puede eliminar el exceso de luz y se puede lograr el efecto de recepción y bloqueo. El esquema de diseño puede cumplir con los requisitos de los usuarios para el rango de visión de la luz en mayor medida. Grado de protección IP66, diseño de estructura impermeable, IK10 a prueba de sacudidas.

PMMA adopta un diseño de matriz de corte de luz completa. Al agregar un muro de retención de luz cóncavo, se puede eliminar el exceso de luz y se puede lograr el efecto de recepción y bloqueo. El esquema de diseño puede cumplir con los requisitos de los usuarios para el rango de visión de la luz en mayor medida.

La línea aerodinámica general del cuerpo de la lámpara es hermosa, generosa y decente. La parte posterior adopta una estructura de disipación de calor tipo aleta, con efecto. El diseño de hundimiento de bordes y las ventilaciones de convección optimizan la calidad de la convección del aire, fortalecen la disipación de calor y aseguran completamente la vida útil del accesorio. El orificio de montaje de inducción está reservado. Ofrezca a los clientes más opciones funcionales y más conveniencia para actualizar en el futuro.

Grado de protección IP66, diseño de estructura impermeable + diseño de anillo impermeable de silicona de alambre de alta resistencia, doble protección, más seguro. Mejor protección del rendimiento IP de la lámpara.

Diseño de súper soporte, la fuerza del soporte puede soportar más de 10 veces el peso del cuerpo de la lámpara, el factor de seguridad es más alto que sus contrapartes.



INM01



INM03



iNM light engine using reflective technology to optimize application efficiency and minimize glare. The efficient design of the LED modules makes each light engine highly customizable, allowing the light distribution to be aimed toward the application.

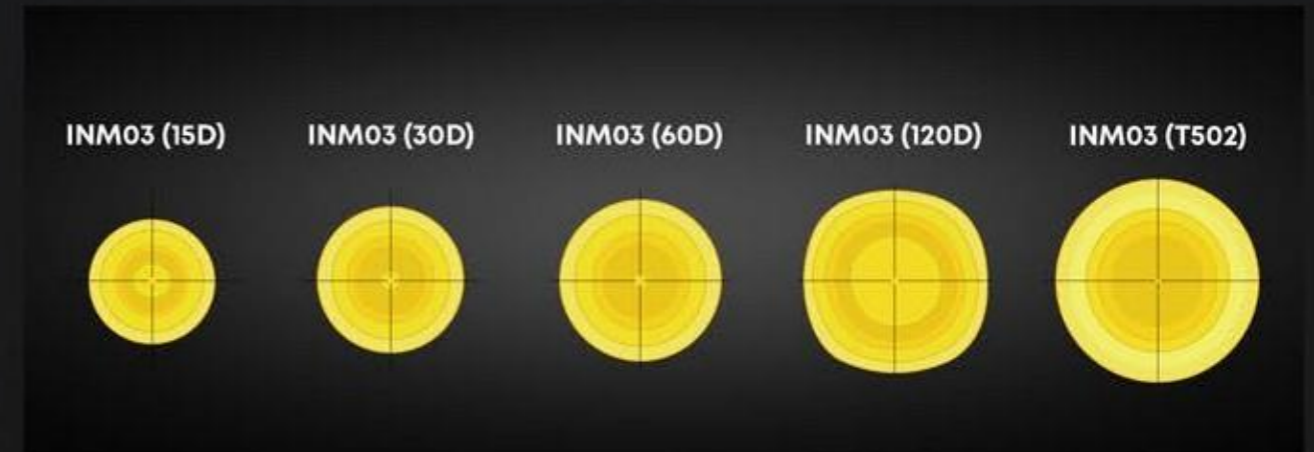
- LM-79 test and report in accordance with IESNA Standard.
- iNM01: 3000K~6500K CCT; iNM03: 2700K~6500K CCT.
- Minimum CRI of 70, 80 and 90 optional.

We deliver innovation and customization, further expanding the flexibility of the project. Exceptional uniformity and low glare for maximum comfort.



- The photometric engine takes advantage of the latest generation of powerful LEDs and dedicated optics for professional applications.
- Combined with Lumileds/Seoul LEDs that provide an alternative solution for those who are looking for very cost-effective yet efficient lighting while keeping the same luminaire design.

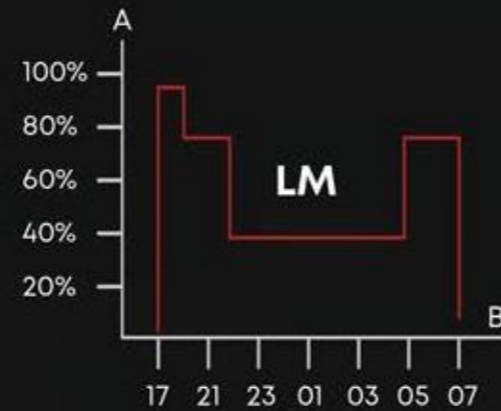
Distribution



Custom Dimming Profile

Intelligent luminaire drivers can be programmed with complex dimming profiles. With customized combinations of time intervals and light levels are possible. This feature does not require any extra wiring.

The period between switching on and switching off is used to activate the preset dimming profile. The customised dimming system generates maximum energy savings while respecting the required lighting levels and uniformity throughout the night.



Daylight Sensor / Photocell

Photocell or daylight sensors switch the luminaire on as soon natural light falls to a certain level. It can be programmed to switch on during a storm, on a cloudy day (in critical areas) or only at nightfall so as to provide safety and comfort in public spaces.



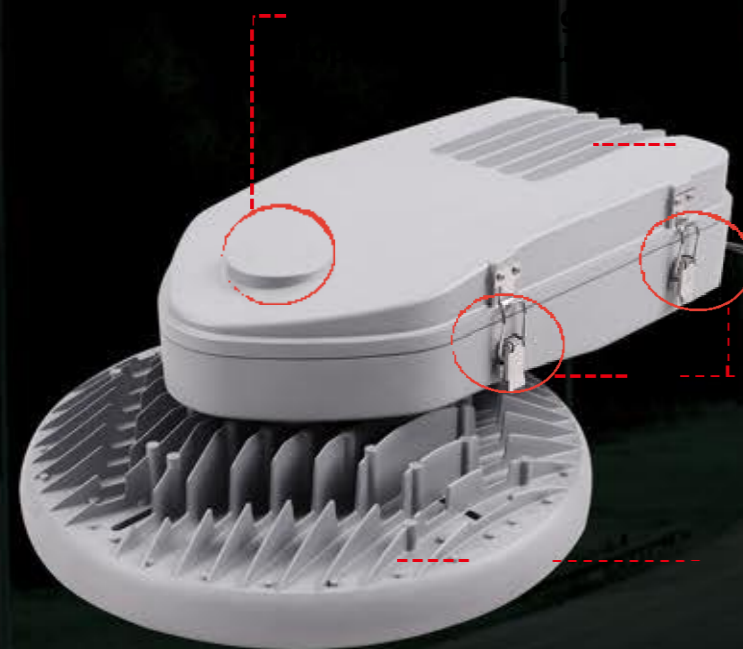
Smart standards. Smarter lighting.

LoRaWAN® Luminaire Controller Zhaga

It is an easily installable wireless device for remote control of the LED luminaires. Device is equipped with Zhaga compliant connector and controls the luminaire through DALI or DALI-2 interface. Controller is available now for LoRaWAN®, NB-IoT and LTE-M network. Modern and small design makes it excellent fit to various street lighting modules.

LoRaWAN® Luminaire Controller NEMA

LoRaWAN® Luminaire Controller NEMA is a remote control device for LED luminaires equipped with ANSI C136.41 NEMA receptacle. The luminaire is controlled through DALI or 0..10V analog control interfaces, while providing a reliable power interconnect with three robust twist lock contacts.



Lock design, tool-less entry hinged removable

Fin-shap heat dissipation, fair-shaped design, efficient thermal management to protect the lifespan of the fixture.



High performance modular LED light engine



Easy wiring & installation



3 or 7-pin recep with a variety of controls options



> Application Reference

- Airport lighting;
- Expressway and freeway interchanges;
- Port facilities;
- Trailer/container yard and rail yard operation area.



> Project Reference



Parameter Table

Electrical Specifications							
Model	AOK-230WINM	AOK-315WINM	AOK-380WINM	AOK-460WINM	AOK-580WINM	AOK-720WINM	
Power(W)	230	315	380	460	580	720	
Input voltage	100-277VAC, 50/60Hz, 347/480VAC optional						
THD	<20%						
PF	>0.90						
Control Option	DALI, 1-10V/ PWM / timer dimming, Nema, Zhaga, Presence detection sensor. 3 or 7 pin receptacle reserved.						
Operating temperature	-40°C to 55°C (-40 °F to 131 °F)						
Driver brand	Inventronics or others						
Surge Protection	20KV Standard						
Photometric Specifications							
Efficacy(LM/W) (CRI 70Ra, 4000K) (Std Dev ±3%)	Y22-T203	145	140	135	145	140	
	Y22-T303	145	140	135	145	140	
	Y22-T403	*	*	*	*	*	
	Y22-T503	*	*	*	*	*	
	S5-T202	*	*	*	*	*	
	S5-T302	*	*	*	*	*	
	S5-T402	*	*	*	*	*	
	S5-T502	150	145	140	150	145	
	S5-PC-15D	145	140	135	145	140	
	S5-PC-30D	165	160	155	165	160	
	S5-PC-60D	165	160	155	165	160	
	S5-PC-120D	*	*	*	*	173	
	Y22-T203	33350	44100	51300	66700	81200	97200
	Y22-T303	33350	44100	51300	66700	81200	97200
Y22-T403	*	*	*	*	*	*	
Y22-T503	*	*	*	*	*	*	
S5-T202	*	*	*	*	*	*	
S5-T302	*	*	*	*	*	*	
S5-T402	*	*	*	*	*	*	
S5-T502	33350	45700	53200	69000	84100	100800	
S5-PC-15D	33350	44100	51300	66700	81200	97200	
S5-PC-30D	37950	50400	58900	75900	92800	111600	
S5-PC-60D	33350	44100	58900	75900	92800	111600	
S5-PC-120D	*	*	*	*	99940	120878	
ULOR	= 0%, @ Luminaire inclination 0°						
CCT	iNM01:3000K~6500K; iNM03: 2700K~6500K						
CRI	70Ra, 80Ra, 90Ra						
Beam angle	iNM01: T2/T3/T4/T5; iNM03: 15D/30D/60D/120D/T5						
Mechanical Specifications							
IP/IK	iNM01: IP66/IK08; iNM03: IP66/IK10						
Vibration resistance	3G/5G vibration rated (please request for details), conform to standard IEC 68-2-6.						
SCx(EPA)	Top: 0.274064m ² (2.95ft ²); Side: 0.128206m ² (1.38ft ²); Front: 0.089187m ² (0.96ft ²);		Top: 0.339096m ² (3.65ft ²); Side: 0.136568m ² (1.47ft ²); Front: 0.096619m ² (1.04ft ²);				
Housing/Materials	Heavy-duty die-cast aluminum (EN AC-46100)						
Surface treatment	Anti-UV thermosetting polyester / 80 micron epoxy primer + Anti-UV thermosetting polyester (for extremely corrosive environments).						
Painting	Black, Silver gray, Custom request						
Cable	Pre-wired with a 30 cm cable (Other lengths on request)						
Mounting	Slip fitter						
LED							
LED Manufacturer	LUMILEDS/Seoul						
LED model	Seoul 5050/Seoul Y22						
Working current of single LED (mA)	Y22-T203	317	412	436	339	399	
	Y22-T303	317	412	436	339	399	
	Y22-T403	*	*	*	*	*	
	Y22-T503	*	*	*	*	*	
	S5-T202	*	*	*	*	*	
	S5-T302	*	*	*	*	*	
	S5-T402	*	*	*	*	*	
	S5-T502	66	90	108	62	78	
	S5-PC-15D	55	77	92	67	84	
	S5-PC-30D	34	47	56	40	50	
S5-PC-60D	34	47	56	40	50		
Lens	Polycarbonate / Tempered glass						
Others							
Lifespan	L80B10 > 108000 h, @Tq 55°C						
Warranty	5 years (Warranty extension up to 10 years on request)						
Certification	UL/CUL/DLC/FCC/CE/ENEC/SAA/GS						
Product size(mm)	664*468*224mm	664*468*224mm	664*468*224mm	705*550*218mm	705*550*218mm	705*550*218mm	
Net Weight(kg)	18.5kg	iNM01: 18.5kg iNM02/03: 20.5kg	iNM01: 18.5kg iNM02/03: 20.5kg	iNM01: 20.5kg iNM02/03: 23kg	iNM01: 20.5kg iNM02/03: 24kg	iNM01: 20.5kg iNM02/03: 24kg	
Recommended installation height	20M	25M	30M	35M	40M	45M	
Application field	Suitable for port, railway station, highway express						
** Stands for the lens module is under development, and the specific parameters will be calculated according to the actual project requirement.							

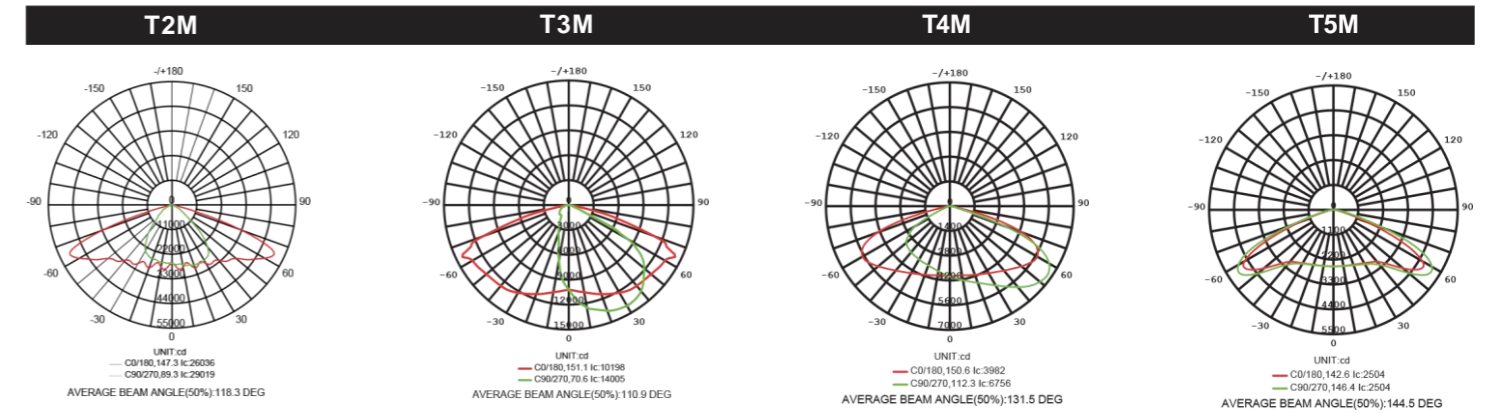
Ordering Information

AOK	WATTS	TYPE	VOLTAGE	LED CHIPS	TYPE OF SENSOR	*CCT&CRI	*DISTRIBUTION	MOUNT	HOUSING
	230W iNM	01	NV=100-277V	S5=Seoul 5050	00=Without Sensor	2770=2700K 70CRI	15D=15°	A=Slip Fitter	BK=Black
	315W iNM	03	HV=347/480V	Y22=Seoul Y22	DV=Dimmable	3070=3000K 70CRI	30D=30°		SL=Silver Gray
	380W iNM				PH=Photocell	4070=4000K 70CRI	60D=60°		
	460W iNM					5070=5000K 70CRI	120D=120°		
	580W iNM					5770=5000K 70CRI	T2M=Type II Medium		
	720W iNM					6570=6500K 70CRI	T3M=Type III Medium		
						2780=2700K 80CRI	T4M=Type IV Medium		
						3080=3000K 80CRI	T5=TYPE V		
						4080=4000K 80CRI			
						5080=5000K 80CRI			
						5780=5700K 80CRI			
						6580=6500K 80CRI			

*CCT&CRI: iNM01: 3000K~6500K CCT; iNM03: 2700K~6500K CCT; *DISTRIBUTION: iNM01: T2M/T3M/T4M/T5; iNM03: 15D/30D/60D/120D/T5

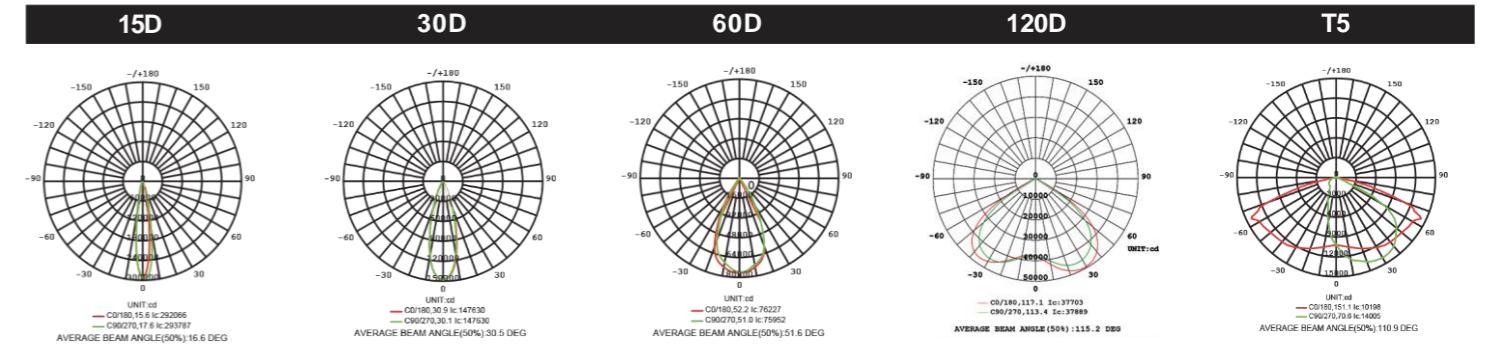
Photometry

iNM01 VERSION PHOTOMETRY



All published Luminaire photometric testing performed to IESNA LM-79-08 standards by a NVLAP accredited Laboratory.

iNM03 VERSION PHOTOMETRY



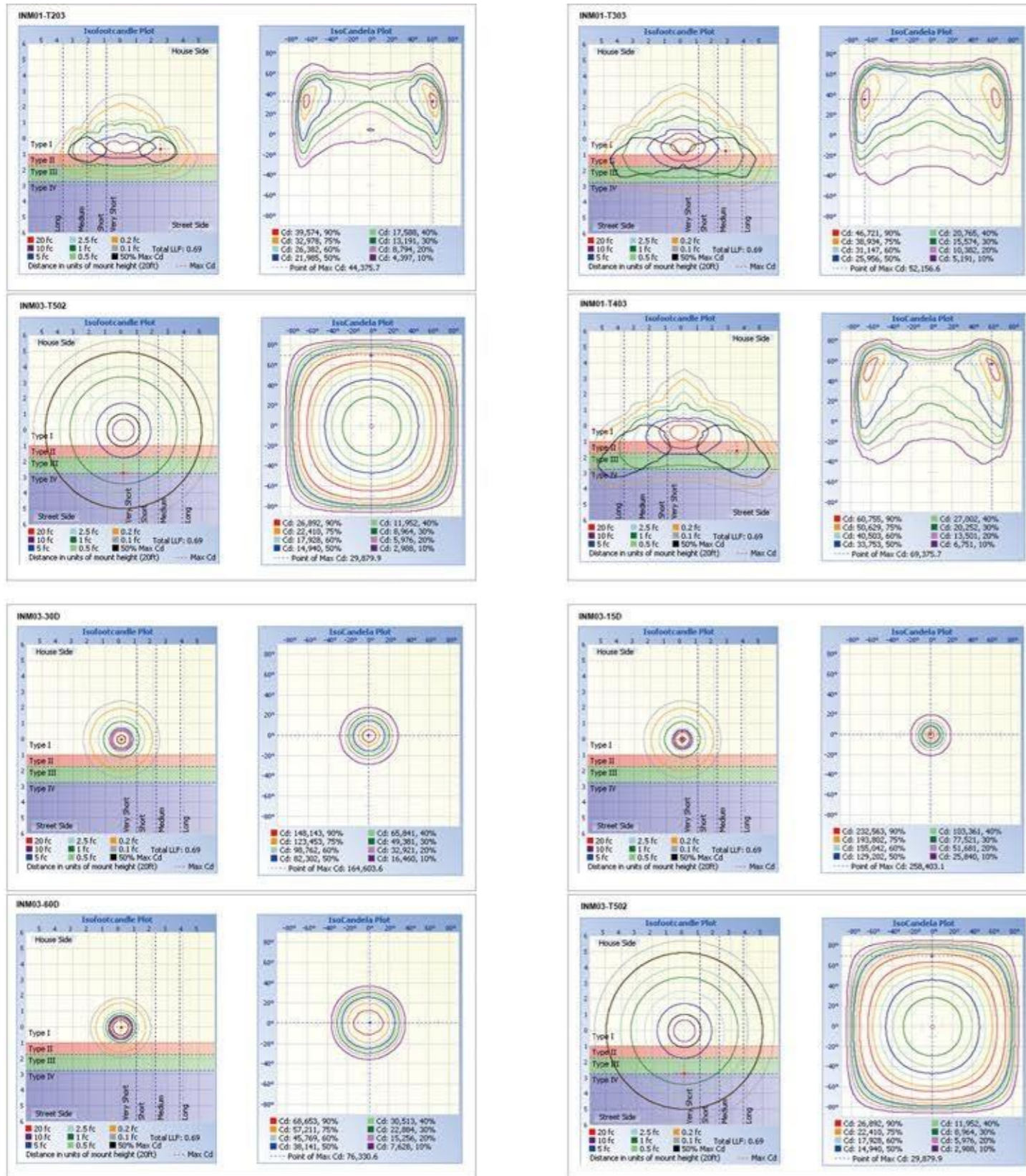
All published Luminaire photometric testing performed to IESNA LM-79-08 standards by a NVLAP accredited Laboratory.

INM Series Specification Sheet

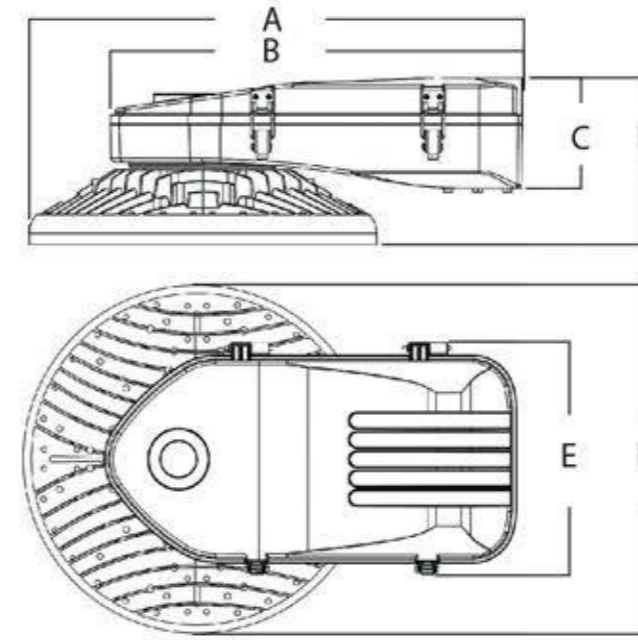
*Due to the constant improvements in product development, individual parameters might change. Please refer to our sales or R&D team for most up-to-date content as specifications are subject to change without notice.



Illuminance Diagram



Fixture Dimensions



	A	B	C
230W	66.4cm/26.0'	55.5cm/21.7'	14.9cm/5.8'
315W	D (INM)	E	F
380W	22.4cm/8.8'	21.4cm/8.4'	46.8cm/18.3'
460W	A	B	C
580W	70.5cm/27.6'	55.5cm/21.7'	14.9cm/5.8'
720W	D (INM)	E	F
	21.8cm/8.5'	21.1cm/8.3'	46.8cm/18.3'

Mounting & Accessories



- Heavy-duty die-cast aluminum housing, anti-corrosion.
- Lid-latch driver box design & tool-less entry for easy maintenance.
- Slide entry and bolt mounting installation, easy & fast.
- 3G/5G vibration rated (please request for details), conform to standard IEC 68-2-6.

Control Options



*As the products are upgraded, the accessories may differ from those described in the pictures. Please consult with our sales team for updated details and order separately.

INM Series Specification Sheet

*Due to the constant improvements in product development, individual parameters might change. Please refer to our sales or R&D team for most up-to-date content as specifications are subject to change without notice.

